

Masport®

FREESTANDING WOOD FIRE

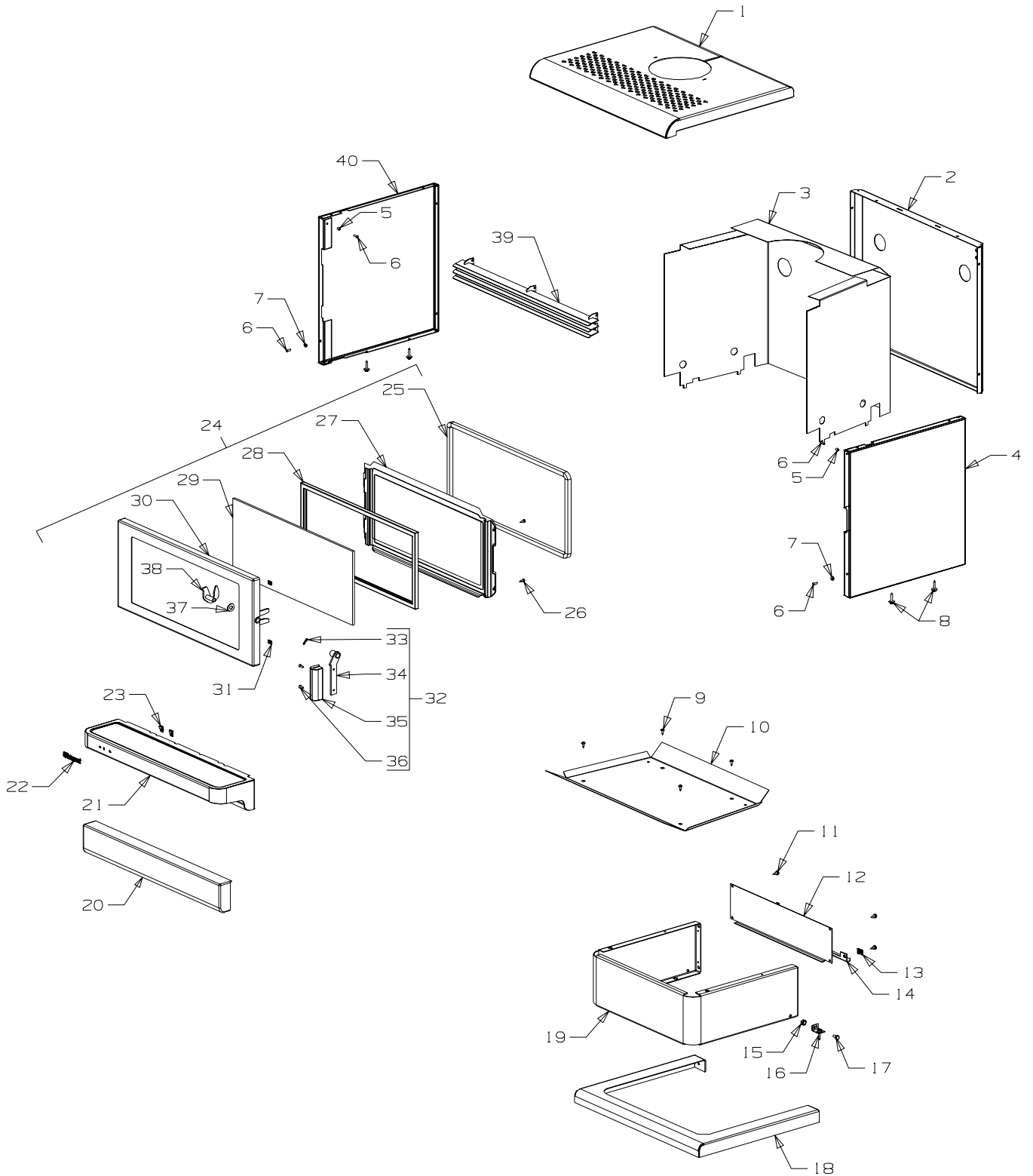
LE 2000

		NZ	AUST	
LE 2000	Black (Enamel)	_____	987950	Page 2
LE 2000 S2	Black (Enamel)	987972	_____	Page 2
Flues	150mm Hit Therm - 4m	FP1002	_____	Page 6
	150mm (6" Super Single)	_____	A35613	Page 7

LE 2000 Black: From Serial Number 3031133
LE 2000 S2 Black: From Serial Number 3041036

LE 2000 Black: Month and Year of first Manufacture: October 2003
LE 2000 S2 Black: Month and Year of first Manufacture: August 2005

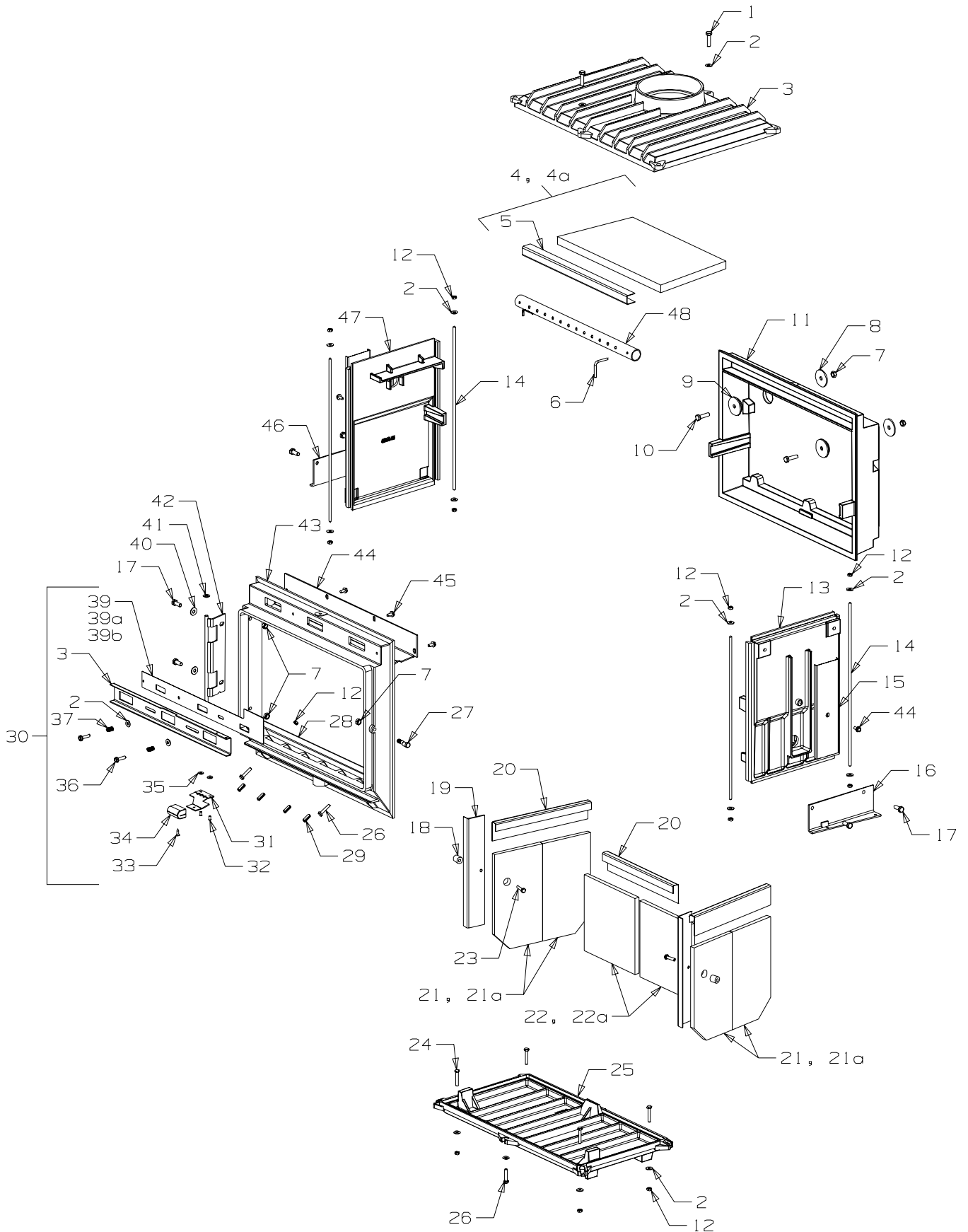






Item No	Part No	Description	Qty	Item No	Part No	Description	Qty
1	787597	Panel-Top - Black	1	21	987714	Shelf-Ash - Black - NZ	1
2	987772	Panel-Rear - Black	1	22	584581	• Badge - Gold	1
3	987531	Heatshield-Side & Rear	1	23	503381	• Push Fix, Spire	2
4	987716	Panel-Side, RH - Black	1	24	987712	Door Assy - Black	1
5	986148	Spacer-Grille	2	25	700755	• Rope-Round 16m x 2m	1
6	501303	Rivet-Pop 4.0 Dia x 7.9	8	26	501480	• Screw; S/T 8 x .5	2
7	986149	Spacer-Front Panel	6	27	986546	• Retainer-Glass	1
8	503459	Screw, S/T 12 x 25	6	28	984586	• Seal Kit-Door Glass	1
9	503005	Screw; Pan No.10 x 1/2"	4	29	984655	• Glass - 5 x 458 x 213 - complete with seal	1
10	594559	Heatshield-Bottom	1	30	987010	• Frame Assy-Door - Black	1
11	503259	Screw; S/T 10 x .5	10	31	503001	• Nut-Spire	2
12	794558	Panel-Pedestal, Back - Black	1	32	787822	• Handle Assy-Door	1
13	503388	Nut-Spire	6	33	503006	• Pin, Tension 4.0 x 16	1
14	986791	Bracket-Seismic Restraint	1	34	986605	• Handle-Assy	1
15	501602	Nut, M8	13	35	586161	• Handle-Door	1
16	986413	Bracket-Seismic Restraint	2	36	503004	• Screw; CSK No. 8 x 5/8"	2
17	501959	Screw-Set M6 x 12	6	37	501704	• Washer; Flat 10 x 19 x 1.6	4
18	587798	Foot - Black (no trim)	1	38	987006	• Latch-Door Assy 10mm	1
19	794556	Pedestal Assy - Black	1	39	987792	Grille-3 Louvre - Black	1
20	987787	Panel-Front - Black - AUST	1	40	987715	Panel-Side, LH - Black	1

Bold Text = Assembly
Indented Bullet Points = Item included in Assembly





Item No	Part No	Description	Qty	Item No	Part No	Description	Qty
1	501962	Screw, Set M6 x 30	6	23	503018	Screw, Set M6 x 25	2
2	500374	Washer; Flat 1/4"	14	24	501815	Screw, Set M6 x 35	4
3	987502	Firebox-Top	1	25	987504	Firebox-Bottom	1
4	987785	Board-Firebox Top 218 x 357 x 20	1	26	501963	Screw, Set M6 x 25	3
	993078	•Channel-Baffle, Reinforcer	1	27	587516	Pin-Door Latch	1
4a	794093	Board-Firebox Top 218 x 357 x 20 (6 Pack)	1	28	987551	Plate-Base Air	1
	993078	•Channel-Baffle, Reinforcer	6	29	503008	Pin, Tension 8.0 x 20	4
5	993078	•Channel-Baffle, Reinforcer	1	30	984537	Slide-Air, Complete - NZ (Incl. Items 2 (2) 30-34, 37-38)	1
6	586439	Pin-Retaining, Secondary Air Tube	1	30a	987782	Slide-Air, Complete - Aust (Incl. Items 2 (2) 30-34, 37-38)	1
	984090	Plug Assy - 34mm Dia	2	31	500848	Washer; Flat 3/16" x .5	2
7	501602	• Nut, M8 Hex (2)	13	32	986166	Extension-Slide, Air Inlet	1
8	502093	• Washer, Flat 8 x 42 x 3.0	2	33	586167	Rivet-Pop 4.0 Dia x 4.8	2
9		NOT AVAILABLE		34	503792	Screw; CSK No. 8 x 1/2"	1
10	501685	• Screw, Set M8 x 30	2	35	986162	Knob-Air Control	1
11	987503	Firebox-Back	1	36	503336	Screw, S/T M6 x 25	2
12	501682	Nut, M6	22	37	585223	Spring-Compression, Air Inlet	2
13	787596	Firebox-Side, RH	1	38	987550	Slide-Air Inlet 20 x 50	1
14	984598	Rod-Tie, M6	4	39	994537	Plate, Back-Meter "U" - New Zealand	1
15	786146	Cover-Secondary Air	2	39a	987559	Plate, Back-Meter 3 ID Holes - Australia	1
16	587546	Bracket-Mounting, Cabinet RH	1	39b	987858	Plate, Back-Meter - Overnight Burn - NZ Only	1
17	501597	Screw, Set M8 x 20	6	40	501606	Washer, Flat 8 x 19 x 1.6	2
18	987813	Spacer-Board Retainer	2	41	006025	Washer, Flat 5/16"	1
19	987549	Bracket-Retainer, Board	2	42	986515	Hinge Assy	1
20	987812	Channel-Brick Retainer	3	43	986301	Firebox-Front	1
21	794582	Board-Firebox, Side 135 x 250 x 15 (2 pack) (Incl. 18 , 20 (2))	1	44	786138	•Deflector-Primary Air	1
21a	794088	Board-Firebox, Side 135 x 250 x 15 (6 pack) (Incl. 18 , 20 (2))	1	45	503003	• Screw; S/T 1/4" x .5	6
22	794583	Board-Firebox Back 195 x 195 x 15 (Incl. 20 (1)) (2 pack)	1	46	587534	Bracket-Mounting, Cabinet LH	1
22a	794092	Board-Firebox Back 195 x 195 x 15 (Incl. 20 (1)) (6 pack)	1	47	787595	Firebox-Side, LH	1
				48	987490	Tube-Secondary Air, 12 x 6.5	1

Bold Text = Assembly
Bullet Points = Item included in Assembly



ROOF TERMINATION KIT PART 2



Flue Kit (Hi Therm)
- Black - 150mm dia

NZ ONLY

(to suit: Horizon, **LE 2000**, Siena, LE 3000, Verona, Utopia)

Part 2 Contains:

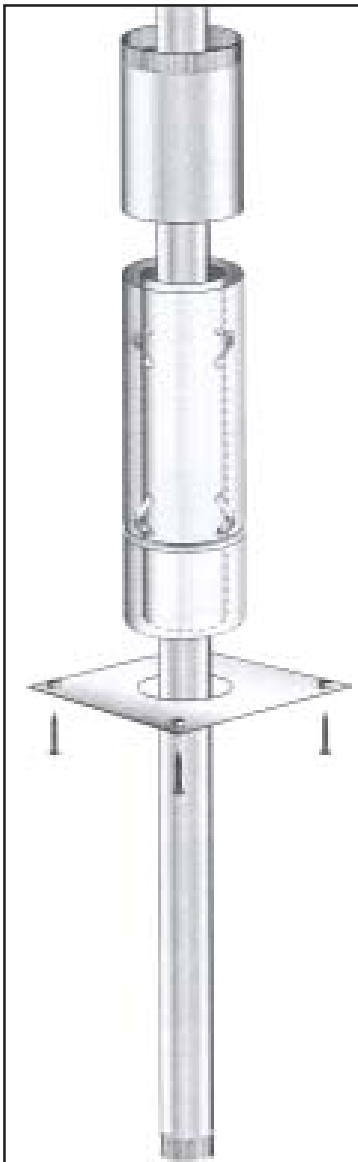
- 1 x 600mm Outer Slip
- 1 x 400mm Flue Pipe
- 1 x Top Spider
- 1 x Casing Cover
- 1 x Anti Down Draught Cowl

Part 1 Contains:

- 3 x 1200mm Stainless Steel Flue
- 1 x 1200mm Inner / Outer Shield Combination
- 1 x Ceiling Plate
- 1 x Pack of Screws and Spacer

Note: Flue Reflector is required for standard installations

4 metre kits meet the Flue Pipe requirements of AS/NZS 2918:2001 (4.6m rule) for a standard 2.4m stud height and a wood fire height of 600mm or greater



STARTER KIT PART 1

Part No: SFP1002



150mm (6" Super Single)

AUST ONLY

(to suit: Horizon, **LE 2000**, Siena, LE 3000, Verona, Utopia)

Contains:

- 5 6" x 900mm Stainless Steel Flue Lengths
- 3 10.25" x 900mm Galvanised Flue Lengths
- 2 8" x 900mm Decrotive Mesh
- 1 6" - 10.25" Cowl
- 1 8" Ceiling Cowl
- 2 Support Angles

Part No: A35613



Item No	Part No	Description	Qty
		NOT ILLUSTRATED	
	585416	Bag-Fire Bedding Sand (Firebox)	1
	584048	Tube-Maniseal (Firebox)	1
	593161	Owners Manual - LE2000 - Australia	1
	575715	Owners Manual - LE2000 S2 - New Zealand	1
		ASSEMBLYS	
	987500	Firebox Assembly	1
	987711	Door Assy (no Glass) - Black	1
	535707	Fan Assy-3 Speed - Black	1
		ACCESSORIES	
	586044	Hot Water Booster (also need 986788) - New Zealand Only	1
	586202	Paint, Touch Up - Black	1